

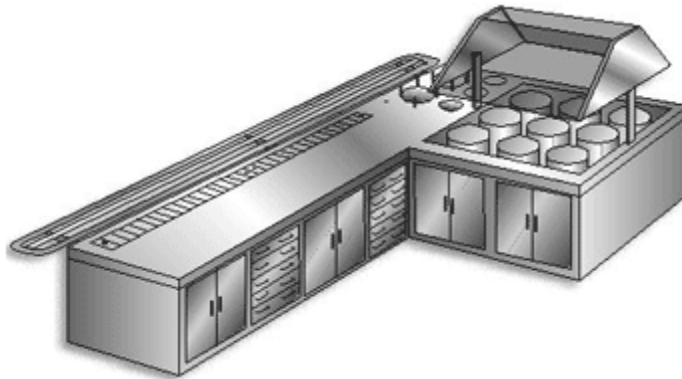
NAVAL FURNITURE PRODUCTS CATALOG

Industrial
LABORATORIES

www.industrial-labs.com

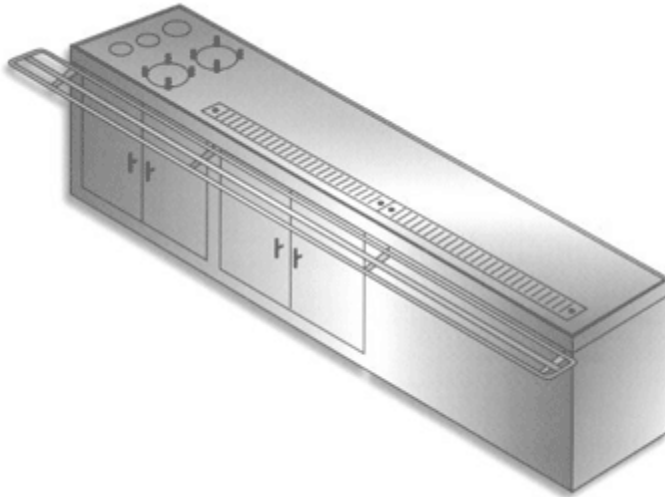


Galley Furniture



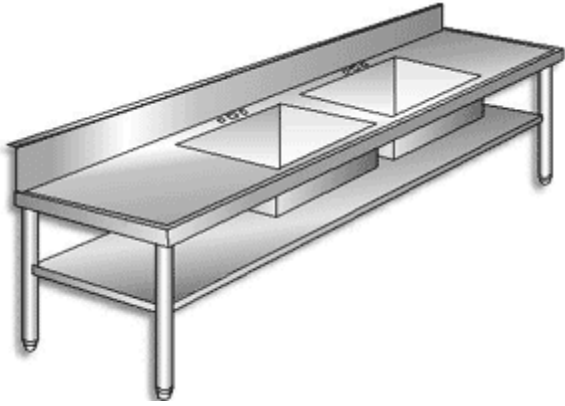
Serving/Beverage Line with Salad Bar

- ◆ Any size, length, or configuration
- ◆ Stainless steel or laminated



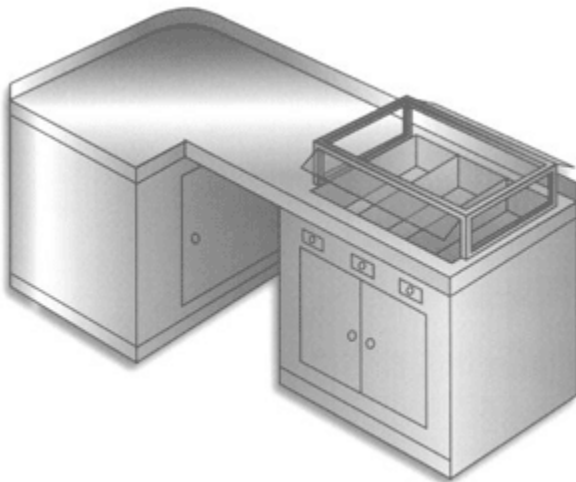
Serving/Beverage Line

- ◆ Any size, length, or configuration
- ◆ Plate, tray & glass lowerators
- ◆ Hot/cold floodwells
- ◆ Sneeze shields available
- ◆ Stainless steel



Stainless Steel Counter

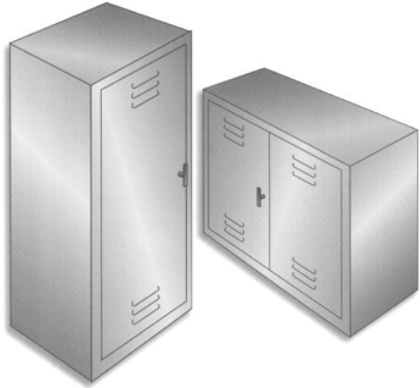
- ◆ Any size, length, or configuration
- ◆ Stainless steel
- ◆ With or without sinks



Serving Line

- ◆ Any size, length, or configuration
- ◆ Lowerators
- ◆ Hot/cold floodwells available
- ◆ Stainless steel or laminated

Shipboard Storage



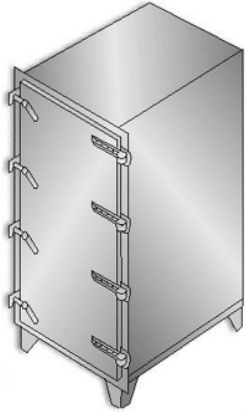
Utility Locker

- ◆ Stainless Steel, Aluminum, or Steel
- ◆ Any Size
- ◆ Double or Single Door
- ◆ With or Without Shelves



Cleaning Gear Locker

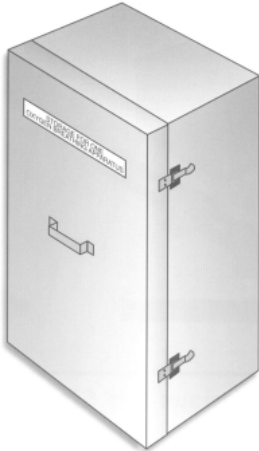
- ◆ Aluminum



Life Jacket Locker



Steel or Aluminum

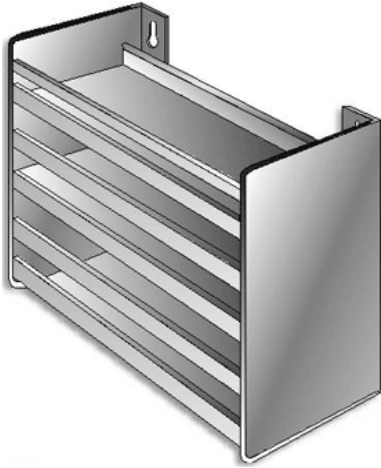


Oxygen Breathing Apparatus Locker



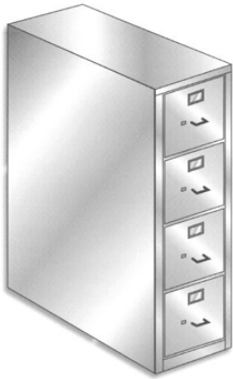
Various Styles Available

Accommodation



Book Rack

- ◆ Wall-plugged for stability
- ◆ Steel or Aluminum
- ◆ Several Other Styles Available



Filing Cabinet

- ◆ Aluminum or Steel
- ◆ Any Size, Any Number of Drawers
- ◆ Combination Locks Available



Chart Cabinet

- ◆ Aluminum or Steel
- ◆ Painted or Laminated
- ◆ Any Size



Bed - Stateroom

- ◆ Steel
- ◆ Epoxy coated paint
- ◆ Single bed size



Bed - Officer

- ◆ Steel
- ◆ Epoxy coated paint
- ◆ Single bed size



Bed - Enlisted

- ◆ Steel
- ◆ Epoxy coated paint
- ◆ Single bed size with underneath locker



Writing Desk - Stateroom

- ◆ Steel
- ◆ Epoxy coated paint
- ◆ Double pedestals



Writing Desk – Officer/Enlisted

- ◆ Steel
- ◆ Epoxy coated paint
- ◆ Single pedestal



Arm Chair

- ◆ Steel
- ◆ Epoxy coated paint
- ◆ General Use

Special Purpose Furniture



Chair - Operator

- ◆ Steel, non magnetic
- ◆ Epoxy coated paint
- ◆ Bridge/Control Center

For inquiry, kindly reach us at:

INDUSTRIAL LABORATORIES SDN BHD
12-10, LEVEL 12
PLAZA AZALEA, PERSIARAN BANDARAYA
SECTION 14
40000 SHAH ALAM

TEL: +603 5523 4848

EMAIL: sales@industrial-labs.com